

PARTNER



1990:1
Motor/Engine
TEC HSK 600-1673 P

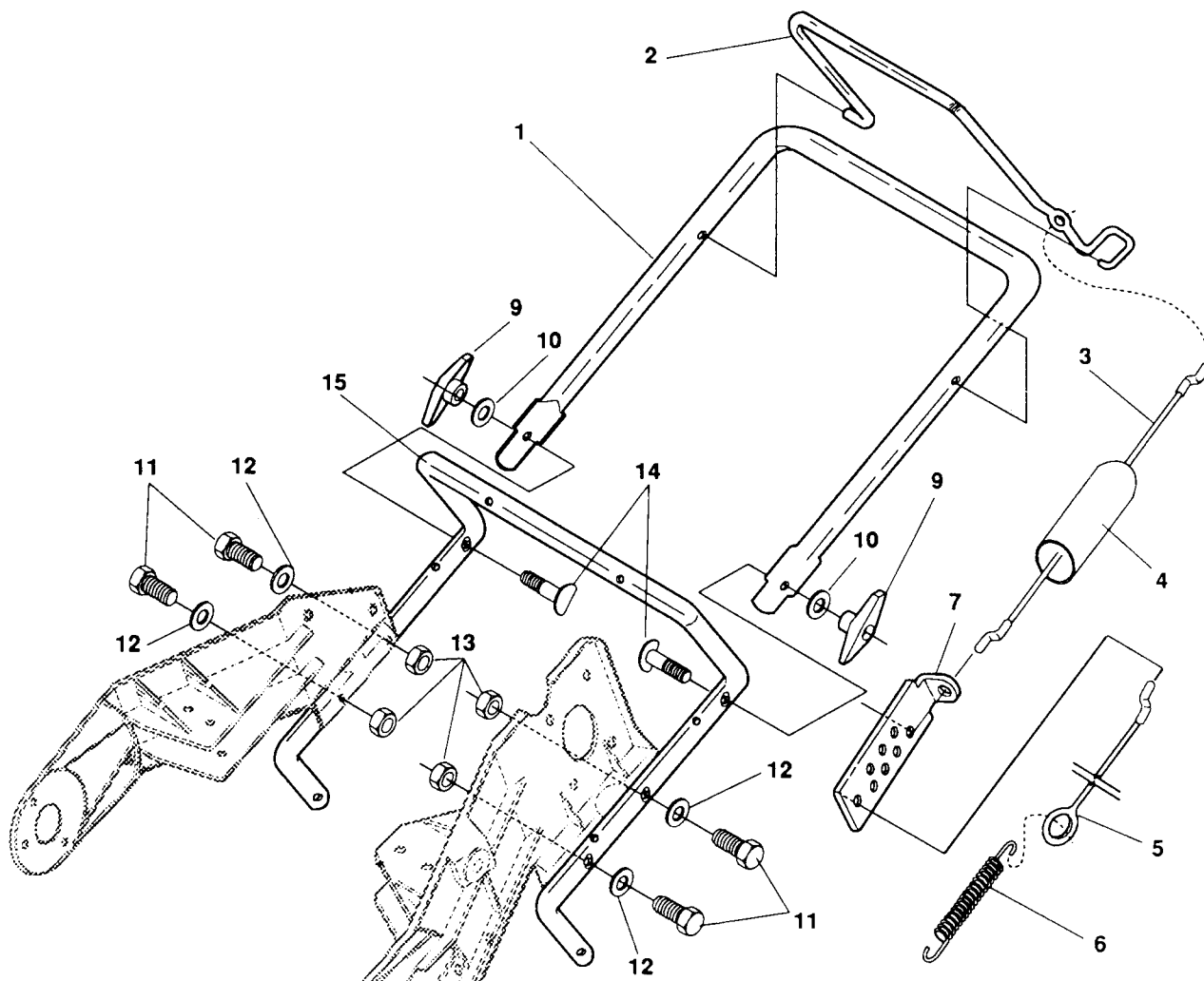
9

Partner 3-20



**SPARE PARTS
ERSATZTEILE
VARAOSAT
RESERVDELAR**

HANDLE ASSEMBLY REPAIR PARTS

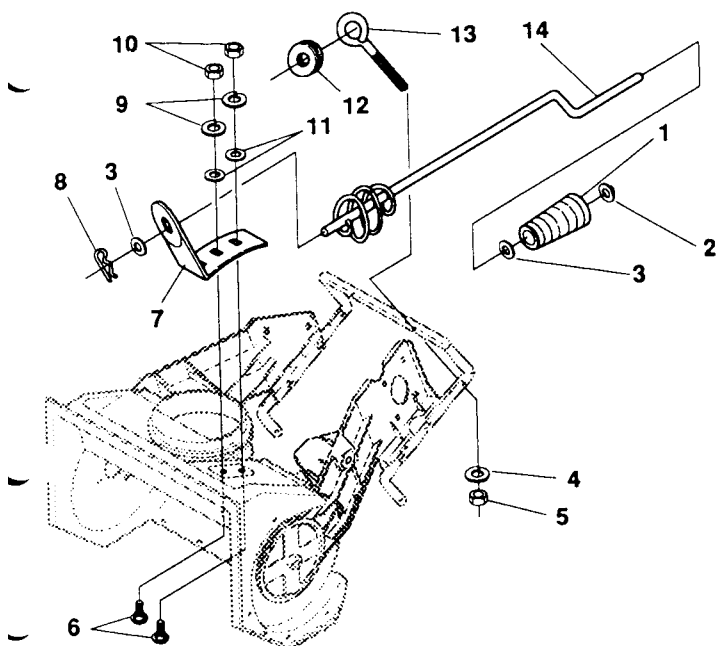


REF. NO.	PART NO.	PART NAME
1	533 31 41-27	* Handle, Upper
2	533 31 41-28	* Bar, Auger Control
3	533 31 34-49	Upper Cable, Auger Control
4	533 30 81-46	* Boot Clutch Spring
5	533 31 34-48	Lower Cable, Auger Control
6	533 31 34-71	Spring, Ext,
7	533 31 34-41	Bracket, Cable Adjustment
9	516 83 29-12	Knob, M8, see pos. 14
10		Washer, Formed
11		Screw, Hex, 1/4-20 x 1-1/4 In.
12		Washer, Flat
13		Nut, Lock, 1/4-20 Thd.
14	515 71 18-50	Bolt, M8, see pos. 9
15	533 31 41-29	Handle, Lower

* Indicates not stocked items. Longer delivery time than normal.

* Indikerar ej lagerförda detaljer. Medför längre leveranstid än vanlig.

CHUTE CONTROL ROD REPAIR PARTS

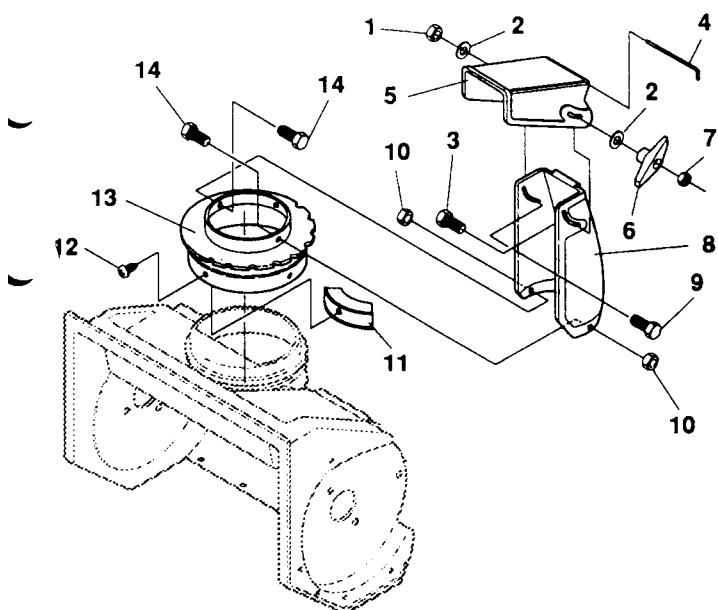


REF. NO.	PART NO.	PART NAME
1	515 45 14-43	Grip, Chute Control Rod
2	515 47 36-64	Cap Nut, Push-On
3		Washer, Flat, 13/32 In.
4		Washer, Split Lock
5	515 47 10-45	Nut, Hex Jam, 3/8-16 Thd.
6		Bolt Carriage, 5/16-18 × 3/4 In.
7	533 31 37-58	* Bracket, Chute Rotate
8		Pin, Cotter
9		Washer, Split Lock
10		Nut, Hex, 5/16-18 Thd.
11		Washer, Flat
12	515 40 01-48	Grommet, Eye Bolt
13	515 47 14-57	Bolt, Eye
14	533 31 36-69	Control Rod, Chute

* Indicates not stocked items. Longer delivery time than normal.

* Indikerar ej lagerförda detaljer. Medför längre leveranstid än vanlig.

DISCHARGE CHUTE REPAIR PARTS

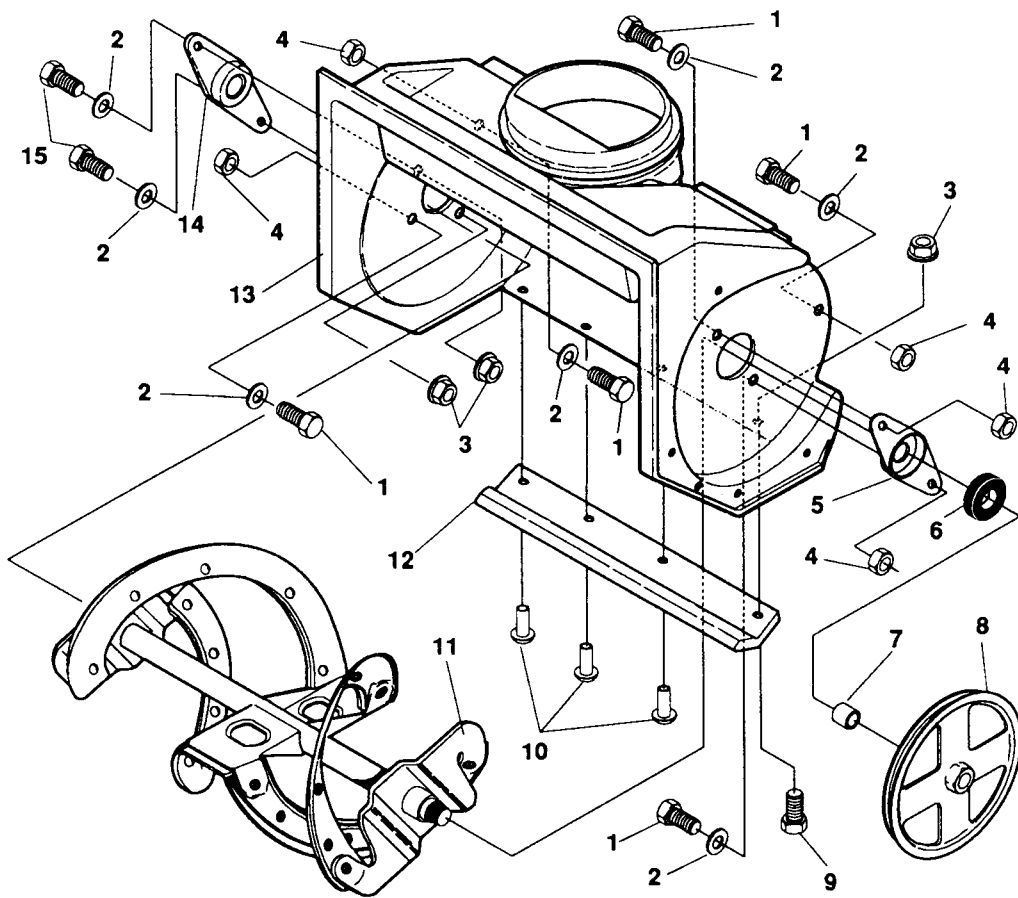


REF. NO.	PART NO.	PART NAME
1		Nut, Lock, 5/16-18 Thd.
2		Washer, Flat
3	515 40 33-16	Bolt, Carriage, 5/16-18 × 1-1/4 In.
4	533 30 89-31	* Wire, Deflector Chute Hinge
5	533 30 76-65	* Deflector, Chute
6	515 40 98-84	Knob, Plastic Tee
7	515 47 10-37	Nut, Hex, 5/16-18 Thd.
8	533 30 76-98	* Chute, Discharge
9		Screw, Slit Ma, 5/16-18 × 3/4 In.
10		Nut, Wd Fl Lk, 1/4-20 Thd.
11	533 05 12-76	Guide, Chute
12		Screw, Wa Tap, 10-14 × 1/2 In.
13	533 31 33-07	* Ring, Discharge Chute Rotation
14		Screw, Slit Ma, 1/4 × 1/2 In.

* Indicates not stocked items. Longer delivery time than normal.

* Indikerar ej lagerförda detaljer. Medför längre leveranstid än vanlig.

AUGER HOUSING REPAIR PARTS

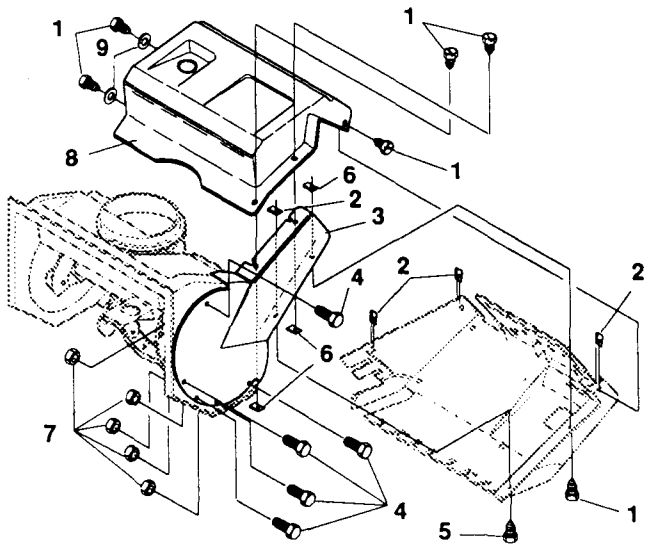


REF. NO.	PART NO.	PART NAME
1		Screw, Hew, 1/4-20 × 5/8 In.
2		Washer, Flat
3		Nut, Wd Fl Lk, 1/4-20 Thd.
4		Nut, Lock, 1/4-20 Thd.
5	533 00 79-05	Bearing, Retainer
6	738 22 03-19	Bearing, Flanged
7	533 05 45-70	Spacer
8	533 31 36-70	Pulley, Auger
9		Screw, Hex, 1/4-20 × 3/4 In.
10		Rivet
11	533 30 27-83	* Auger Assembly
12	533 05 53-23	Scaper Bar
13	533 31 37-60	* Housing, Auger and Ring
14	533 05 48-37	Bearing, Flange
15		Screw, Hex, 1/4-20 × .88 In.

* Indicates not stocked items. Longer delivery time than normal.

* Indikerar ej lagerförda detaljer. Medför längre leveranstid än vanlig.

BELT COVER REPAIR PARTS

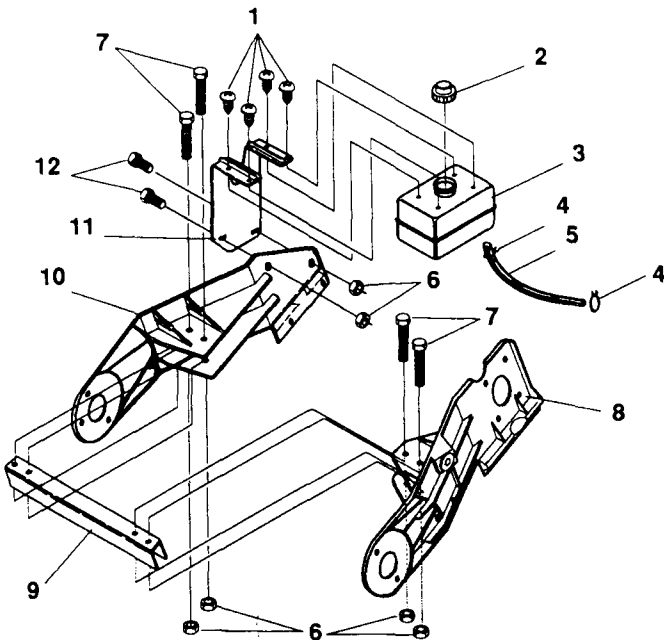


REF. NO.	PART NO.	PART NAME
1		Screw, SI Wa Tap, 1/4-14 × 3/4 In.
2		Nut, J Type, 1/4-20 Thd.
3	533 30 88-02	* Cover, Belt
4		Screw, Wa Ma, 10-24 × .50 In.
5		Screw, Hex, 1/4-20 × .50 In.
6		Nut, Tinn U, 1/4-20 Thd.
7		Nut, Hex Lock, #10-24 Thd.
8	533 31 47-09	* Cover
9		Washer, Flat

* Indicates not stocked items. Longer delivery time than normal.

* Indikerar ej lagerförda detaljer. Medför längre leveranstid än vanlig.

FRAME COMPONENTS REPAIR PARTS

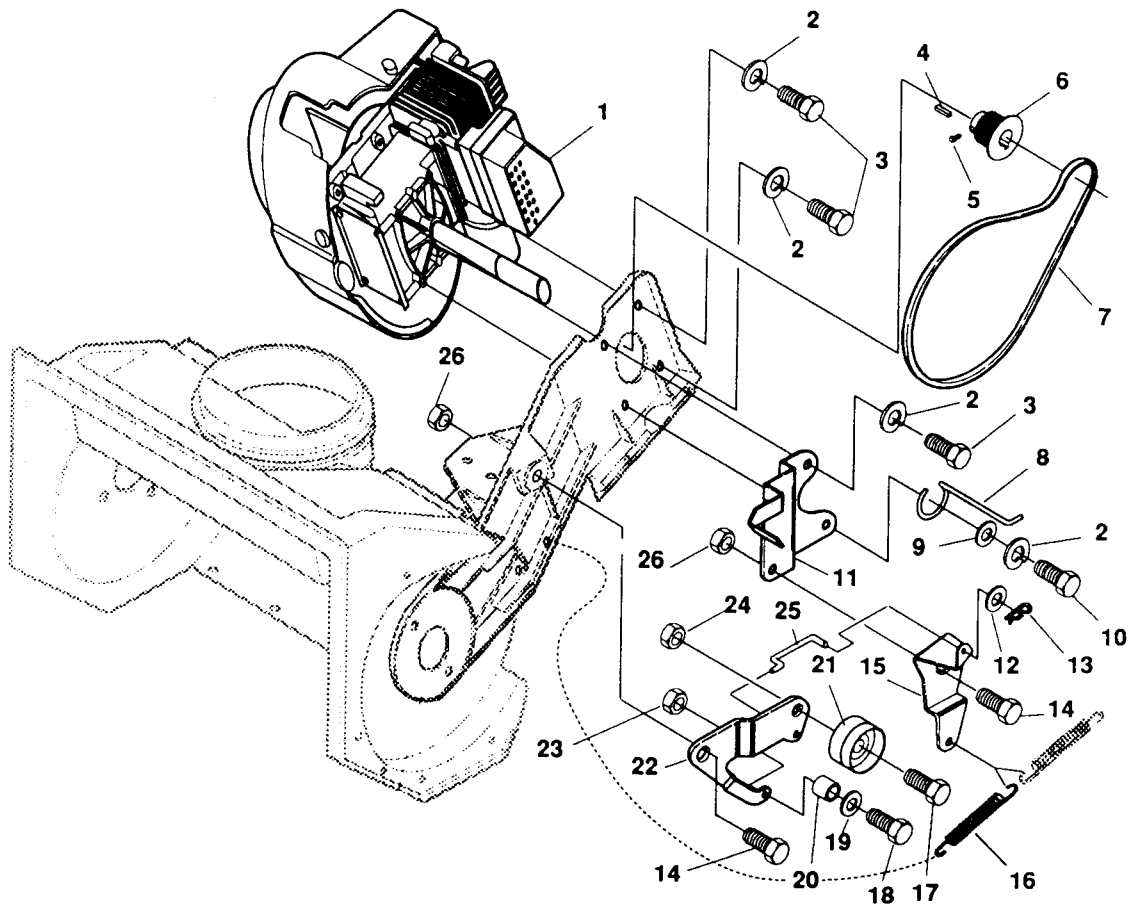


REF. NO.	PART NO.	PART NAME
1		Screw, Wa Tap, 1/4-14 × .88 In.
2	533 00 12-57	Cap, Gas Tank
3	533 05 53-81	* Tank, Fuel
4		Clamp, Fuel Line
5		Gas, Line
6		Nut, Lock, 1/4-20 Thd.
7		Screw, Hex, 1/4-20 × 2 In.
8	533 31 34-83	* Frame, Side LH
9	533 31 03-90	* Channel, Support
10	533 30 87-94	* Frame, Side RH
11	533 31 43-91	* Bracket, Gas Tank
12		Screw, Hex, 1/4-20 × 5/8 In.

* Indicates not stocked items. Longer delivery time than normal.

* Indikerar ej lagerförda detaljer. Medför längre leveranstid än vanlig.

ENGINE AND DRIVE REPAIR PARTS

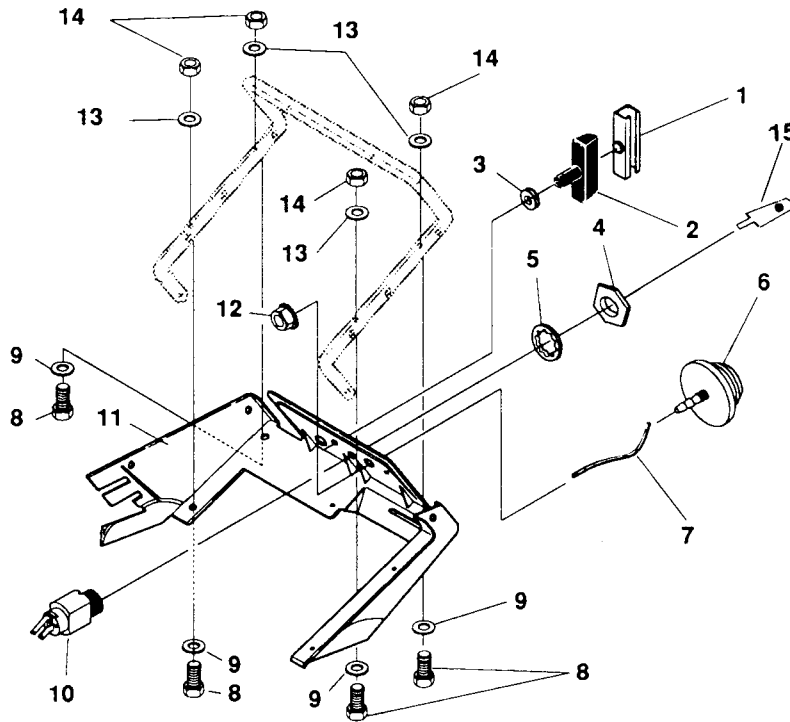


REF. NO.	PART NO.	PART NAME	REF. NO.	PART NO.	PART NAME
1		Engine Tecumseh HSK 600-1673 P	15	533 31 34-44	* Arm, Idler Pivot
2		Washer, Split Lock	16	533 31 34-73	Spring
3	533 12 02-28	Screw, Hex, 5/16-18 × 3/4 In.	17		Screw, Hex, 3/8-16 × 1-1/2 In.
4	533 00 21-25	Key, Woodruff	18		Screw, Hex, 1/4-20 × 1-1/2 In.
5	533 19 19-56	Screw, Set, 1/4-20 × 3/8 In.	19		Washer, Flat
6	533 04 89-21	Pulley, Engine	20	533 31 34-43	Roler, Belt Pinch
7	533 04 89-22	V-Belt	21	533 04 89-24	Pulley, Idler
8	533 31 34-40	Guide, Belt	22	533 31 34-45	* Arm, Idler
9		Washer, Flat	23		Nut, Lock, 1/4-20 Thd.
10		Screw, Hex, 5/16-18 × 1 In.	24		Nut, Jam, 3/8-16 Thd.
11	533 31 34-39	* Bracket, Idler Pivot	25	533 31 34-36	Rod, Clutch Linkage
12		Washer, Flat, 3/16 In.	26		Nut, Lock, 5/16-18 Thd.
13		Pin, Cotter			
14		Bolt, Shoulder, 5/16-18 × 1/2 In.			

* Indicates not stocked items. Longer delivery time than normal.

* Indikerar ej lagerförda detaljer. Medför längre leveranstid än vanlig.

FRAME COMPONENTS REPAIR PARTS



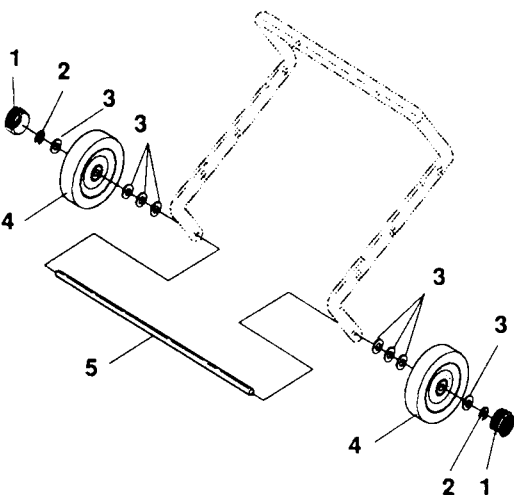
REF. NO.	PART NO.	PART NAME
1		Insert, Metal Knob
2	503 12 79-01	Knob, Rope
3		Grommet & Washer, Rope Guide
4	506 56 88-01	Nut, Ign Switch, 5/8-32 Thd.
5		Washer, Int Lk
6	533 05 46-01	Primer, Engine
7		Hose, Primer

REF. NO.	PART NO.	PART NAME
8		Screw, Hex, 1/4-20×1-1/4 In.
9		Washer, Flat
10	533 05 69-92	Switch, Ignation
11	533 30 76-69	* Cover, Bottom
12		Nut, Keps, 1/4-20 Thd.
13		Washer, Formed
14		Nut, Lock, 1/4-20 Thd.
15	516 84 46-00	Key

* Indicates not stocked items. Longer delivery time than normal.

* Indikerar ej lagerförda detaljer. Medför längre leveranstid än vanlig.

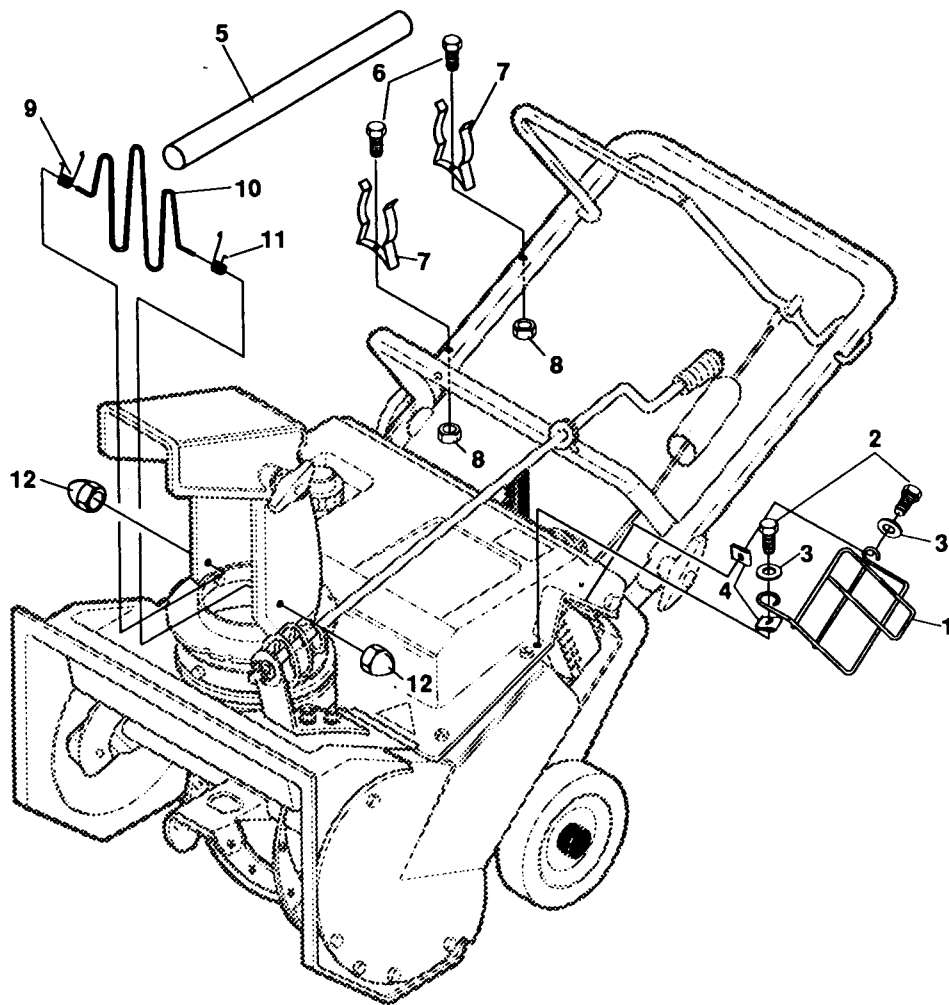
WHEEL REPAIR PARTS



REF. NO.	PART NO.	PART NAME
1	533 05 63-71	Hub Cap
2	735 31 13-21	Ring, Ret E
3		Washer, Flat
4	533 05 53-59	Wheel/Tire
5	533 31 36-78	Axle, Shaft

* Indicates not stocked items. Longer delivery time than normal.

* Indikerar ej lagerförda detaljer. Medför längre leveranstid än vanlig.



REF. NO.	PART NO.	PART NAME
1	533 05 71-39	Muffler Guard, Export
2		Screw, 1/4-20 × .63
3		Flatwasher, .286 × .63 × .065
4		Nut, 1/4-20 Tinn. U
5	516 48 76-00	Clearing Stick
6		Screw, 10-32 × 1.25
7	516 48 78-00	Clip, Retainer, Clear Stick
8		Acorn Nut
9	533 05 17-76	Torsion Spring
10	533 31 12-06	Guard, Wire Chute Lower
11	533 05 17-77	Torsion Spring
12		Acorn Nut

* Indicates not stocked items. Longer delivery time than normal.

* Indikerar ej lagerförda detaljer. Medför längre leveranstid än vanlig.